

# LEX15A Thermokoppel EEx e met Geïntegreerde 2-draads Transmitter

## Construction

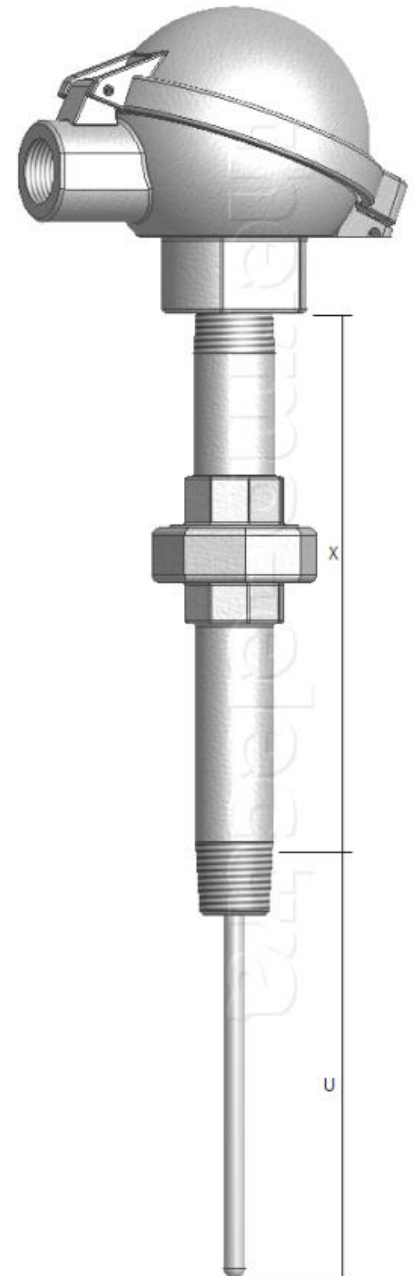
	According EN 50014 and EN 50019
<b>Ex execution</b>	<u>II 2G EEx e II T6</u>
<b>Certificate</b>	KEMA 02ATEX2237 X
<b>Suitable for zone</b>	1 and 2
<b>Ingress protection</b>	IP65 / IEC529
<b>Ambient temp. range</b>	
<b>Connection head</b>	DAN. Cable entry M20 x 1.5 female
<b>Material</b>	Cast aluminium enamel coated
<b>Mounting</b>	In the cover of the head

## Transmitter

<b>Model</b>	Select from our standard range or specify your standardized brand
<b>Range and output data</b>	To specify
<b>Head mounted</b>	Standard mounted on insert, replaces the terminal block
<b>Alternative mounting</b>	Mounted in the cover of the head
<b>Sensing element</b>	-40°C...+80°C
	Replaceable, springloaded
<b>Type</b>	Mineral insulated, diameter 6mm
<b>Calibration</b>	K, T, J, E, N, R, S, B, U or L
<b>For duplex</b>	KK, TT, JJ, EE, NN, RR, SS, BB, UU or LL
<b>Accuracy</b>	According IEC 584

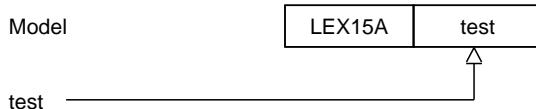
## Extension

<b>Type</b>	Nipple - union - nipple
<b>Material</b>	Stainless Steel 316
<b>Connection</b>	1/2 NPT male thread
<b>Length "X"</b>	150 mm standard, other length possible



## Ordering code

\*This datasheet is purely indicative, build-up of model code may vary from this datasheet.



H3-1 Rev.0 7/07