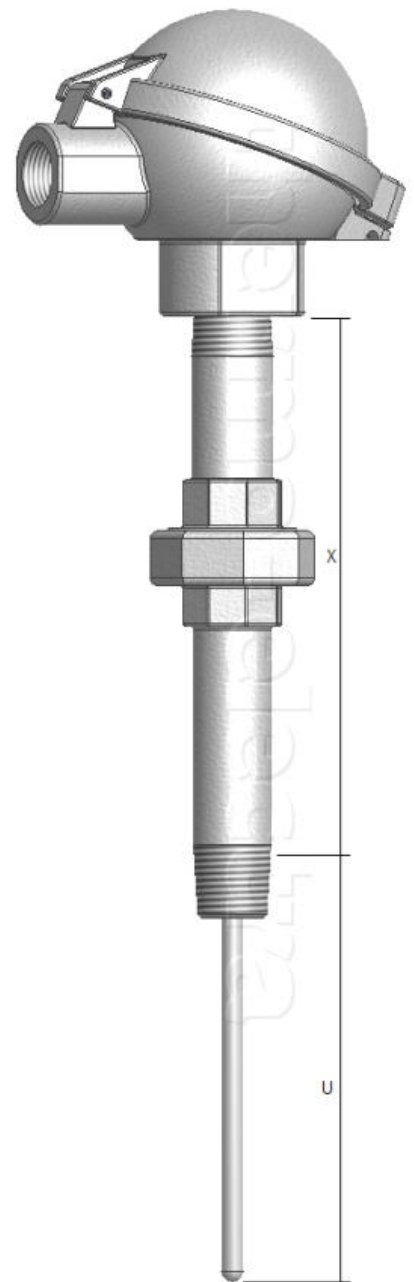


# LEX15 Pt100 Thermometer EEx e met Geïntegreerde 2-draads Transmitter

<b>Construction</b>	According EN 50014 & EN 50019
<b>Ex execution</b>	<u>II 2 G Eex e II T6</u>
<b>Certificate</b>	KEMA 02ATEX2237 X
<b>Suitable for zone</b>	1 and 2
<b>Ingress protection</b>	IP65 / IEC529
<b>Ambient temp. range</b>	-40 °C ... +80 °C
<b>Connection head</b>	DAN. Cable entry M20 x 1.5 female
<b>Material</b>	Cast aluminium enamel coated
<b>Transmitter</b>	
<b>Model</b>	Select from our standard range or specify your standardized brand
<b>Range and output data</b>	To specify
<b>Head mounted</b>	Standard mounted on insert, replaces the terminal block.
<b>Alternative mounting</b>	Mounted in the cover of the head.
<b>Sensor</b>	
<b>Construction</b>	Replaceable springloaded
<b>Type</b>	Mineral insulated, diameter 6mm. Single Pt 100: "S", duplex Pt100: "D"
<b>Connection</b>	3 wire system standard, optional 4 wire system
<b>Accuracy</b>	According IEC 751
<b>Range</b>	-220 / + 600 °C
<b>Extension</b>	
<b>Type</b>	Nipple - union – nipple
<b>Material</b>	Stainless steel
<b>Connection</b>	1 / 2" NPT male thread
<b>Length "X"</b>	150 mm standard, other length possible



## Ordering code

\*This datasheet is purely indicative, build-up of model code may vary from this datasheet.

Model

LEX15

H3-1 Rev.0 7/07